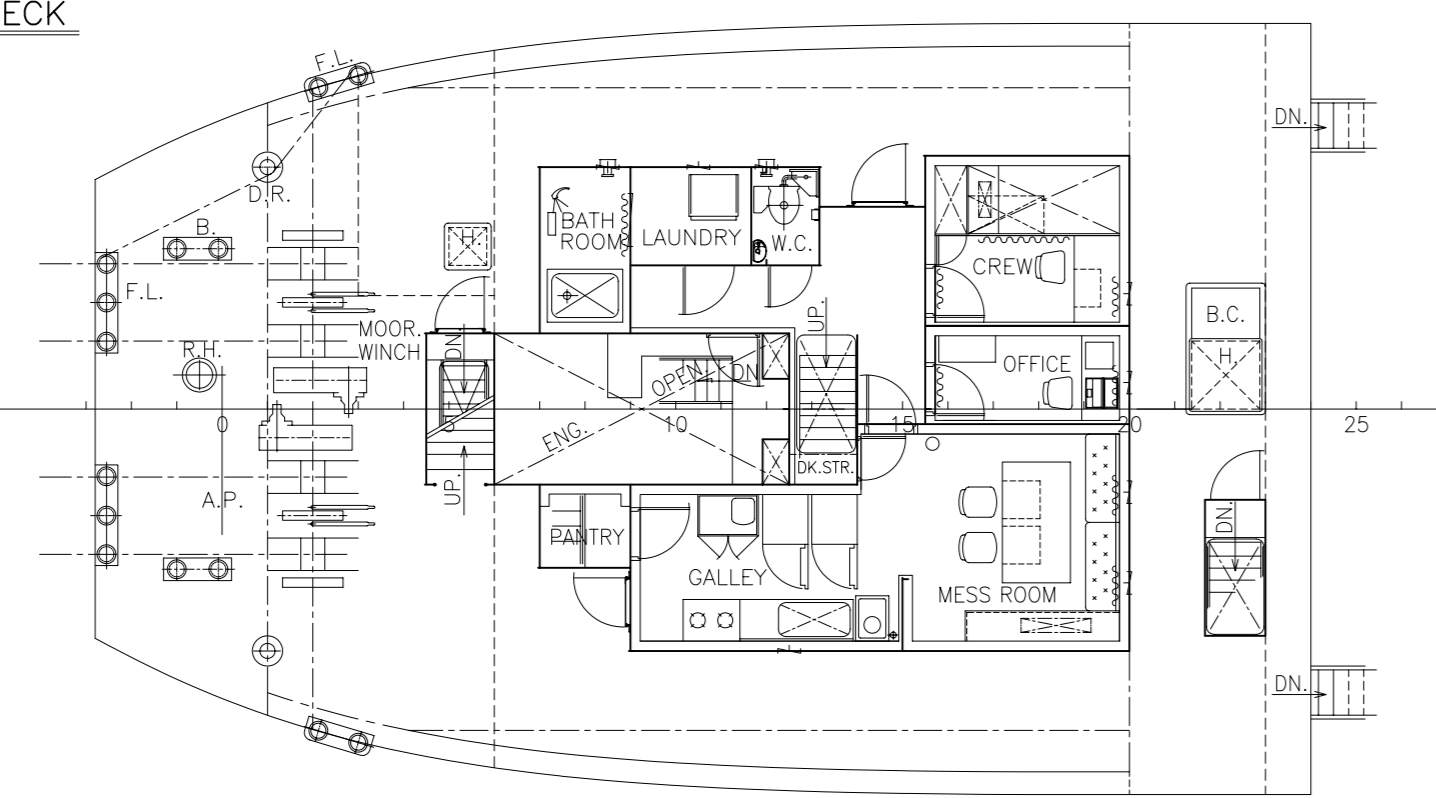


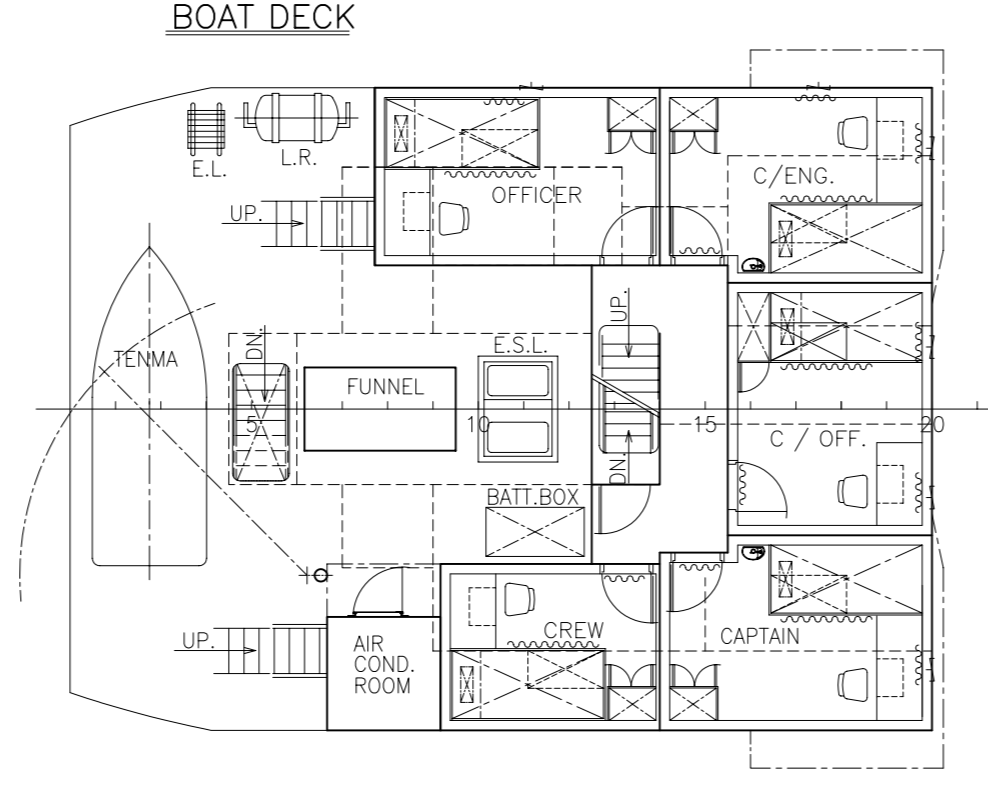
PRINCIPAL DIMENSIONS

LENGTH (P.P.)	60'000
BREADTH (M.L.D.)	10'200
DEPTH (M.L.D.)	4'400
DRAFT (DESIGNED)	3'960
GROSS TONNAGE	abt. 499T
TANK CAPACITY	abt. 1,230M ³
MAIN ENGINE	1000PS
SPEED	abt. 11KT
COMPLEMENT	6P
NAVIGATION AREA	COASTING SERVICE (非国際)

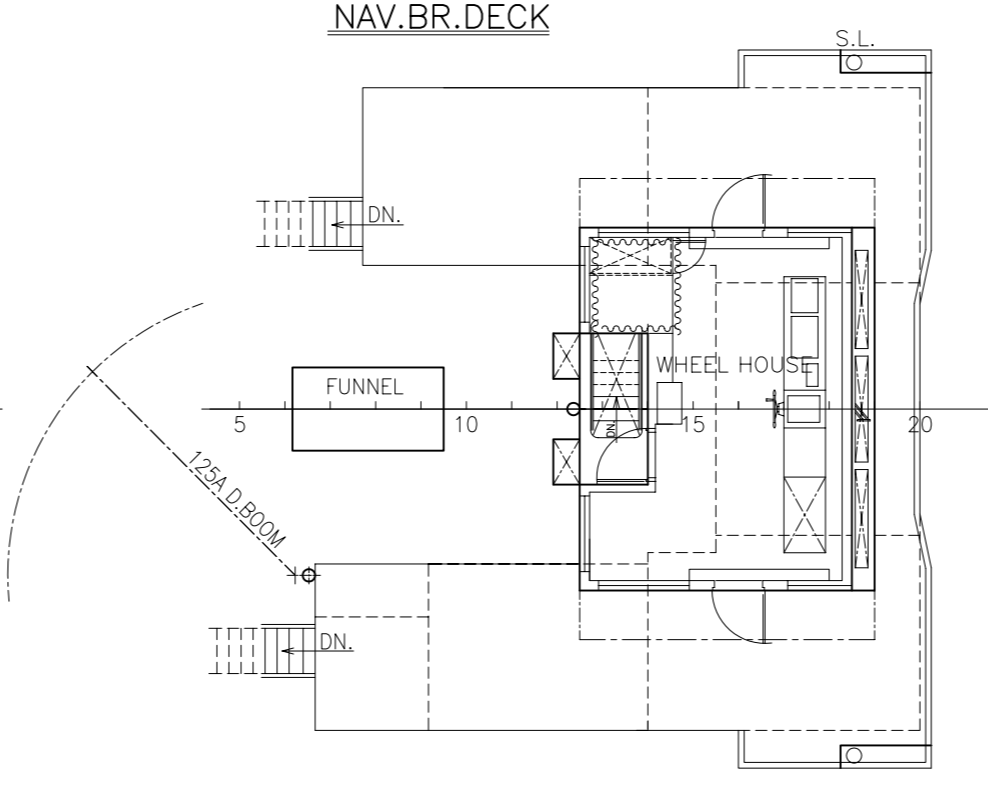
POOP DECK



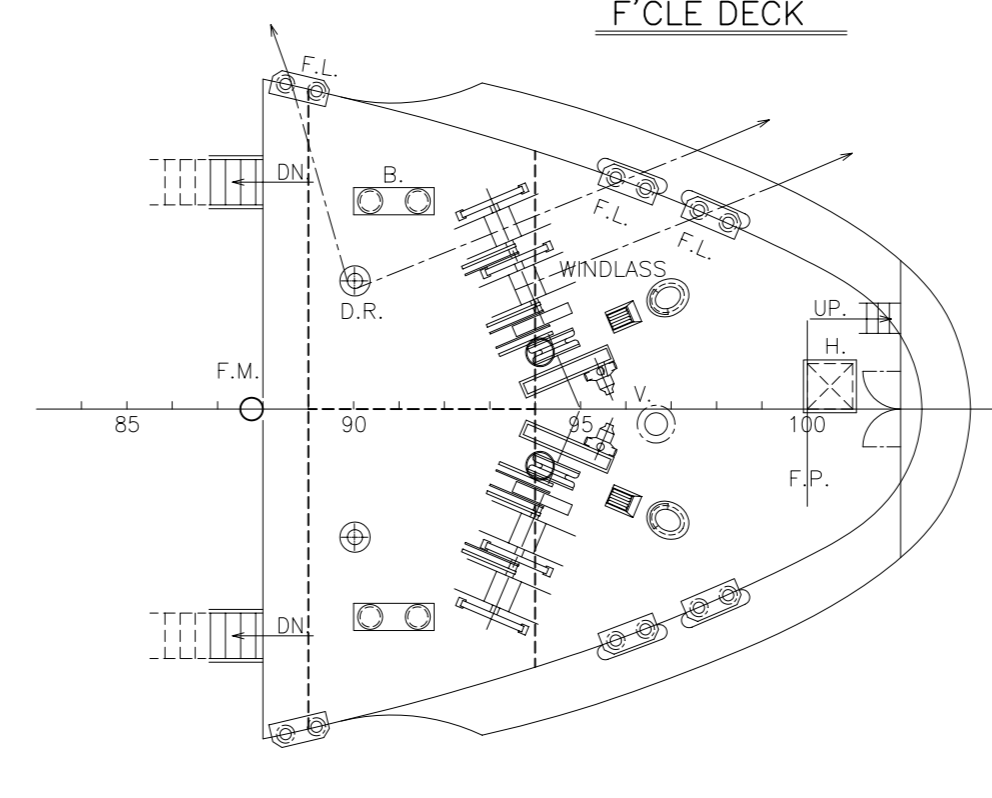
BOAT DECK



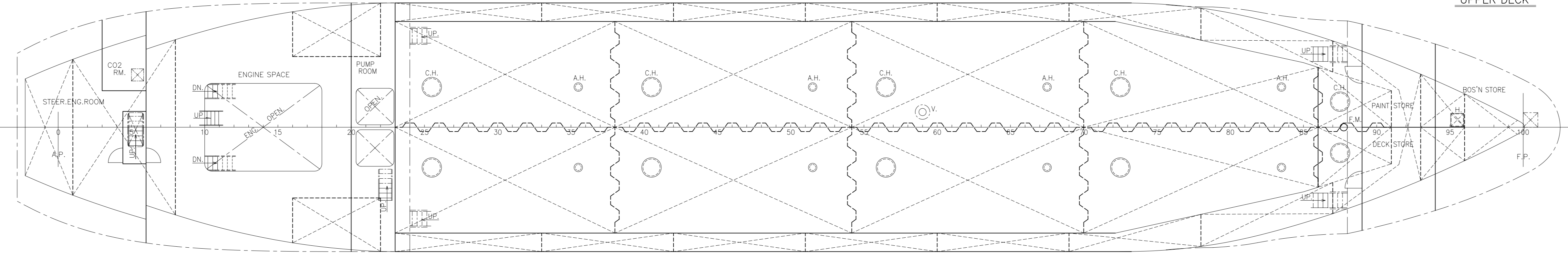
NAV. BR. DECK



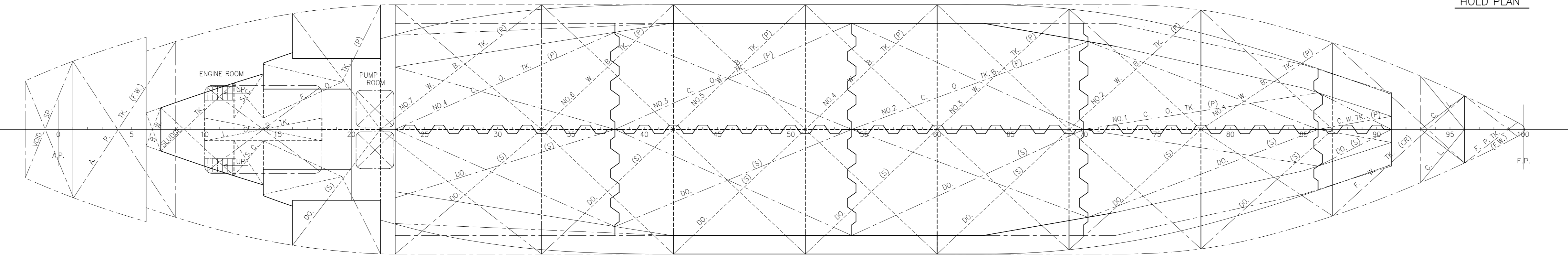
F'CLE DECK



UPPER DECK



HOLD PLAN



DESIGN DEPARTMENT	独立行政法人鉄道建設・運輸施設整備支援機構
MANAGER	
CHIEF	499総屯型液体化学薬品ばら積船
STAFF	一般配置図
DRAWER	N. SUGIMOTO
DATE	15. MAR. 2013
SCALE	1/100
DRAWING NO.	C-2